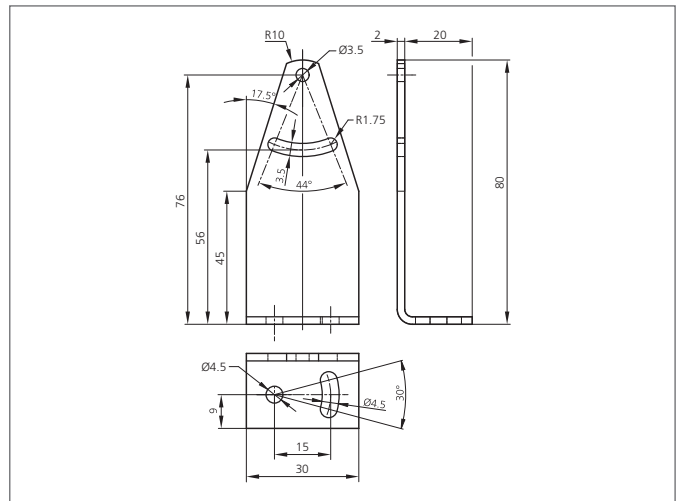
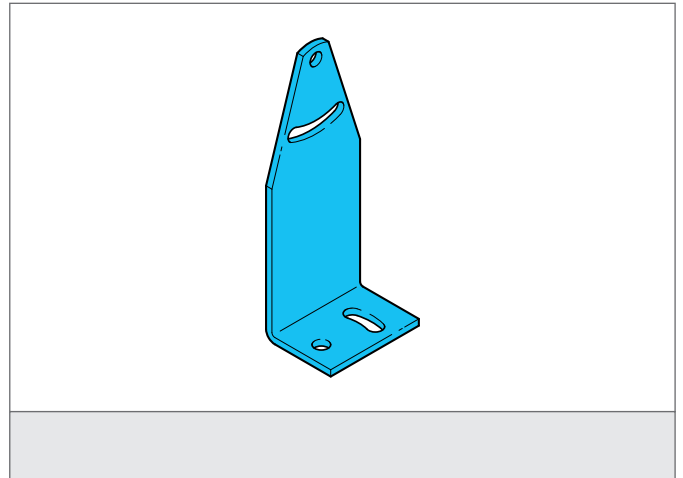


# BW 41-80 Mounting Bracket

- Adjustable
- Robust design



### TECHNICAL INFORMATION (typ.)

Hole spacing	20 mm
Mounting hole	Ø 3,5 mm
Casing material	metal